

Zoom beam expander

1x-3x

Specifications:

Wavelength	343; 355; 515; 532; 1030; 1064; 1070 nm
Magnification range	1x-3x
Pointing stability	<1 mrad
Optical design	Gallileo
Diffraction limited performance	Yes
Number of lenses	4
Transmittance	>99%
LIDT	>6.5 J/cm ² @ 1064 nm, 10 ns, 100 Hz >2 J/cm ² @ 532 nm, 10 ns, 100 Hz >0.8 J/cm ² @ 355 nm, 10 ns, 100 Hz
No internal Ghosts	Yes
No internal Ghosts in reversed use	No
Mounting thread	M34 x 0.5 on exit end
Clamping	Ø37.5 x 17 mm cylinder

Max recommended input beam Ø

	343-355 nm	515-532 nm	1030-1070 nm
x1 -	7 mm	8 mm	9 mm
x2 -	4.5 mm	5 mm	6 mm
x3 -	3.5 mm	4 mm	5 mm

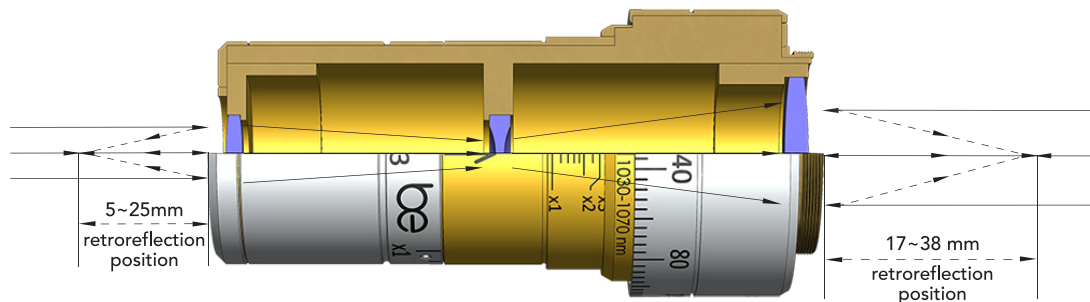
Notes

- Max beam diameter (1/e²) meeting diffraction limited operation
- Extra collimation adjustment range for highly diverging beams
- Lockable lens positions
- High purity fused silica lenses
- Sensitive collimation adjustment
- Laser should be turned off while zooming
- Custom wavelengths available

Tel.: +3706 851 9989
E-mail: info@beamera.eu
Web: www.beamera.eu

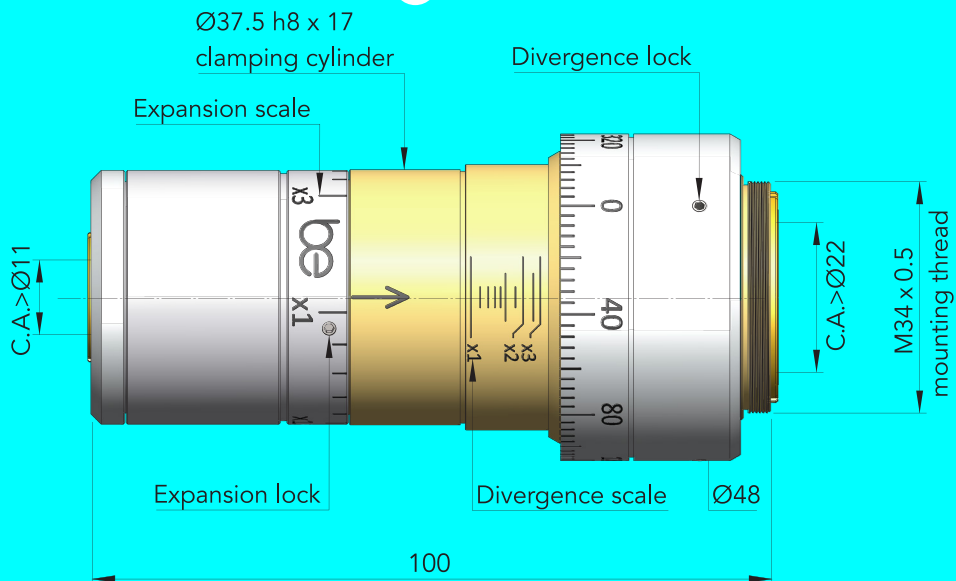
Beamera, UAB
Sauletekio al. 15a-218
Vilnius, Lithuania

External retro reflections



Retroreflections in regular mode - at 5~25mm

Retroreflections in reverse (beam reduction) mode - at 17~38mm



Tel.: +3706 851 9989
E-mail: info@beamera.eu
Web: www.beamera.eu

Beamera, UAB
Sauletekio al. 15a-218
Vilnius, Lithuania