

be DATA SHEET



Fixed beam expander

0.8x ~ 4.0x

Specifications:

Wavelength	343-355; 515-532; 1030-1070 nm
Available expansions	x0.8~x4.0
Pointing stability	100 μ rad
Optical design	Gallileo
Diffraction limited performance	Yes
Number of lenses	2~3
Transmittance	>99%
LIDT	>25 J/cm ² @ 1064 nm; 10ns; 100Hz >5 J/cm ² @ 532 nm; 10ns; 100Hz >2 J/cm ² @ 355 nm; 10ns; 100Hz
No internal ghosts	Yes
No internal ghosts in reversed use	Yes
Mounting thread	input M30.5 x 0.5, exit M34 x 0.5
Clamping	Ø37.5 x 17 mm cylinder

Standard items

Expansion	Recommended max input beam Ø	Divergence adjustment range	Product ID*
0.8x -	15.5 mm	±2 mrad	FX0.8-*H
1.0x -	14 mm	±3 mrad	FX1.0-*H
1.2x -	13 mm	±1.5 mrad	FX1.2-*H
1.25x -	12.5mm	±1 mrad	FX1.25-*H
1.35x -	11.5 mm	±3 mrad	FX1.35-*H
1.5x -	10 mm	±2 mrad	FX1.5-*H
1.75x -	9mm	±3 mrad	FX1.75-*H
2.0x -	8 mm	±2 mrad	FX2.0-*H
2.5x -	6 mm	±2 mrad	FX2.5-*H
3.0x -	5 mm	±2 mrad	FX3.0-*H
4.0x -	4 mm	±2 mrad	FX4.0-*H

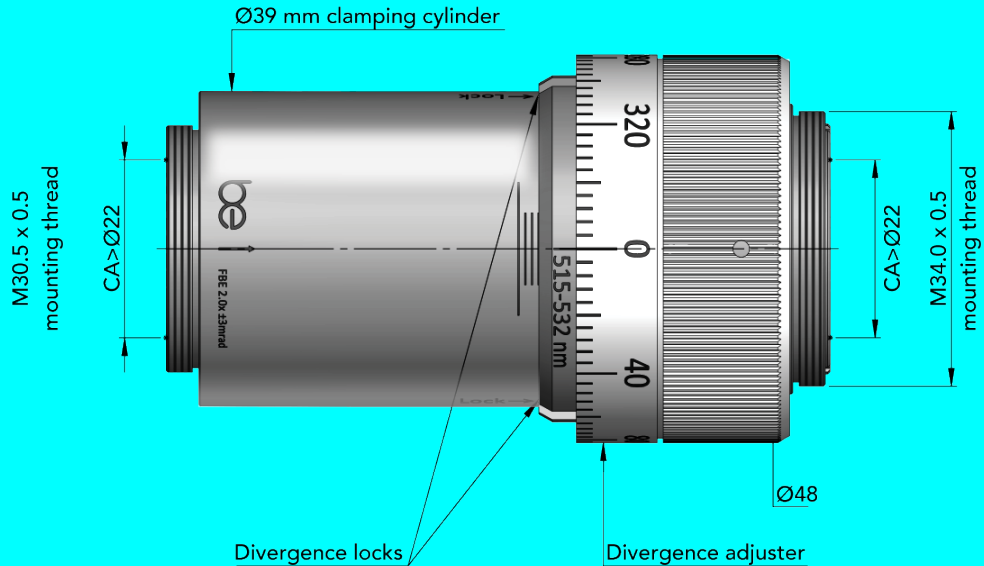
star "*" in product ID denotes harmonics 1, 2 & 3 for 1st; 2nd & 3rd harmonics respectively

Tel.: +3706 851 9989 Beamera, UAB
 E-mail: info@beamera.eu Keramikų st. 2, II-12 LT-10232
 Web: www.beamera.eu Vilnius, LITHUANIA

Notes

- Max beam diameter ($1/e^2$) meeting diffraction limited operation
- Input & Output clear aperture $>\varnothing 22$ mm*
- Lockable lens positions
- Sensitive collimation adjustment
- Custom wavelengths available
- High purity fused silica lenses

* - for magnifications 3x & 4x input aperture is $\varnothing 22.9$



Tel.: +3706 851 9989 Beamera, UAB
E-mail.: info@beamera.eu Keramikų st. 2, II-12 LT-10232
Web: www.beamera.eu Vilnius, LITHUANIA