

FLEXIBLY INTEGRABLE

ILLUMINATION SYSTEMS



for xenon, mercury, mixed gas,
and spectral lamps up to 100 W



Example: Lamp housing lh-q100.60 with matching ballast ebq 100-04

Our compact illumination systems consist of a lamp housing and electronic ballast. They enable the reliable operation of xenon, mercury, mixed gas, and spectral lamps up to 100 W.

The lamp, mirror, and collector can be adjusted easily and reproducibly from the outside of the lamp housing. The light-tight housing and optimized thermal design with silent convection cooling ensure constant and reliable light output. Customized interfaces also provide flexible integration options.

Lamp type used	Matching lamp housing	Required ballast
50W mercury OSRAM HBO 50W/AC	lh-q50.60 Item no.: 0000014136	ebq 50-ac Item no.: 0000008567
100W mercury OSRAM HBO 100 W/2, HBO 103 W/2	lh-q100.60 Item no.: 0000012758	ebq 100-04 Item no.: 0000008164
75W xenon OSRAM XBO 75 W/2, HAMAMATSU L2174-01	lh-x75.60 Item no.: 0000012951	ebx 75-04 Item no.: 0000008329
100W mixed gas HAMAMATSU L8029-01	lh-qx100.60 Item no.: 0000013780	ebqx 100-04 Item no.: 0000008708
Spectral lamps Cs/10, He/10, HgCd/10, Hg100, K/10, Na/10, Ne/10, Rb/10, Tl/10, Zn/10	lh-pico9.60 Item no.: 0000014828	ebs 60 ac Item no.: 0000012756

For information on the required ballast, please contact our sales department at sales@lej.de or +49 3641 3530 - 30.

PRODUCT HIGHLIGHTS

- Model variants for xenon, mercury, mixed gas, and spectral lamps
- Adjustment of lamp, mirror, and collector from outside the lamp housing
- Vibration-free and noise-free
- Output optics and adapters can be configured according to customer requirements
- Easy lamp replacement

AREAS OF APPLICATION

- Semiconductor analysis
- Mask diagnosis
- Microscopy
- Wavelength calibration
- Analytics

Safety (according to EN 6100-1)

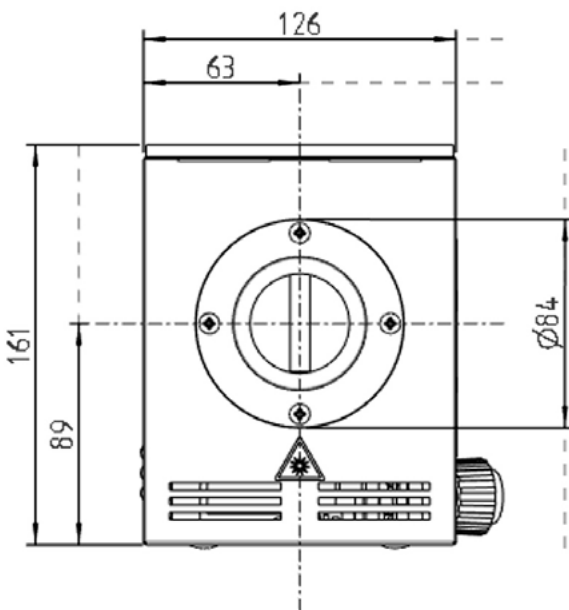
Device protection class	I
Protection class	IP 20 (EN 60529)
Safety circuit	Shutdown when opened
Ambient temperature	0 °C to +40 °C
Execution	
Lamp housing	Sheet metal molded enclosure, light-tight
Dimensions (HxWxD)	161 x 126 x 154 in mm
Weight	Approx. 3.5 kg
Scope of delivery	Device with connection cable and user manual

Input parameters

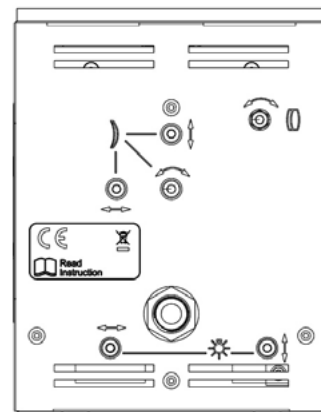
Supply	Electronic ballast, lamp-specific
Electrical connection	Cable 1.5 m, permanently connected to lamp housing

Output parameters

Light output	Custom collector with z-adjustment, on request
Distance dimension	90 mm (optical axis to lower edge of lamp housing)
Reflector	Mirror with x, y, z adjustment
Lamp socket	Lamp adapter according to lamp type with x, y adjustment



Front view with dimensions in mm



Rear view with adjustment screws

Contact:

Phone: +49 3641 35 30-30 | E-Mail: sales@lej.de

Your Go-To-OEM Partner

www.lej.de