

M12 LENS - 2.1mm FOCAL LENGTH

For board-level cameras AS-LS-M12-021-F20-A

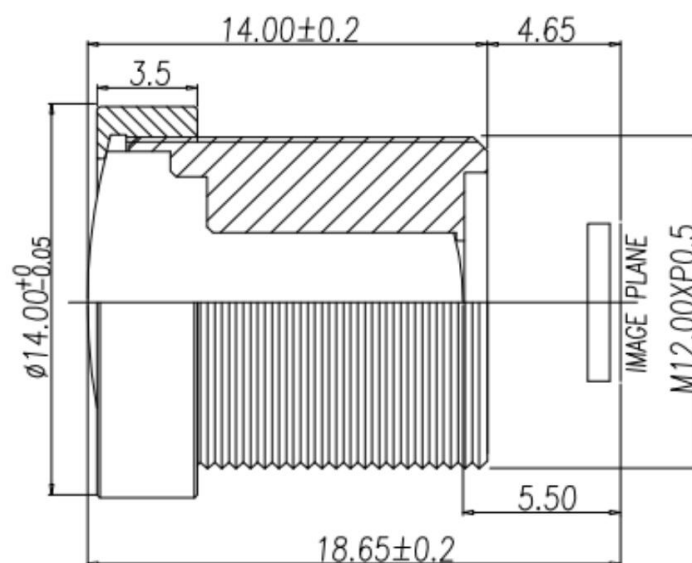
- Lens with M12 mount
- For sensors up to 1/3"
- For Oriole 3G-SDI Board Camera and similar

FEATURES

- Focal length: 2.1mm
- Resolution: 3MP
- 1/3" sensor FoV: D: 135°, H: 130°, V: 78°
- Mount M12x0.5



Dimensions





AS-LS-M12-021-F20-A			
Focal Length	2.1mm	Mount	M12x0.5
Type	M12 / S-mount lens	Aperture	F2.0
TTL¹	18.7mm	Back focal length	5.5mm
Viewing angle	For 1/3": D: 135°, H: 130°, V: 78°	Dimensions	14mm diam. x 14.1mm length
Construction	6G	Lens material	Glass
Distortion	<-10%	IR corrected	No
Resolution	3MP	Sensor type	up to 1/3"
Weight	6g	Operating temperature	-20°C to +85°C

1. Total Track Length: the distance from the surface of the image sensor to the top of the lens.

ORDERING INFORMATION

PART NUMBER	DESCRIPTION
AS-LS-M12-021-F20-A	M12 lens with 2.1mm focal length for board-level camera.
AS-BCAM-S42-001-A	Oriole 3G-SDI Board Camera, with switchable IR-cut filter.



CONTACT DETAILS

Head Office:

Active Silicon Ltd
1 Waterside Court, Waterside Drive,
Langley, Berks, SL3 6EZ, UK.

Tel: +44 (0)1753 650600
Email: info@activesilicon.com
Website: www.activesilicon.com

North America Office:

Active Silicon, Inc.
479 Jumpers Hole Road, Suite 301,
Severna Park, MD 21146, USA.

Tel: +1 410-696-7642
Email: sales.us@activesilicon.com
Website: www.activesilicon.com

14-May-2025 LS-M12 2.1mm