

VCM25-10-C-1064

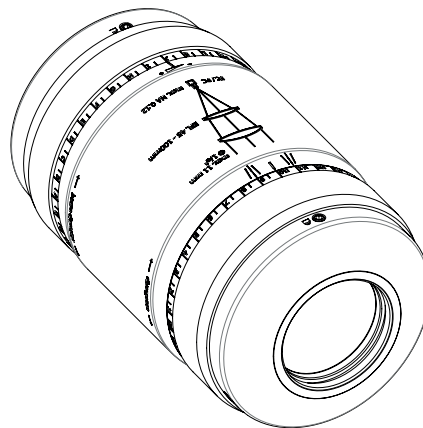
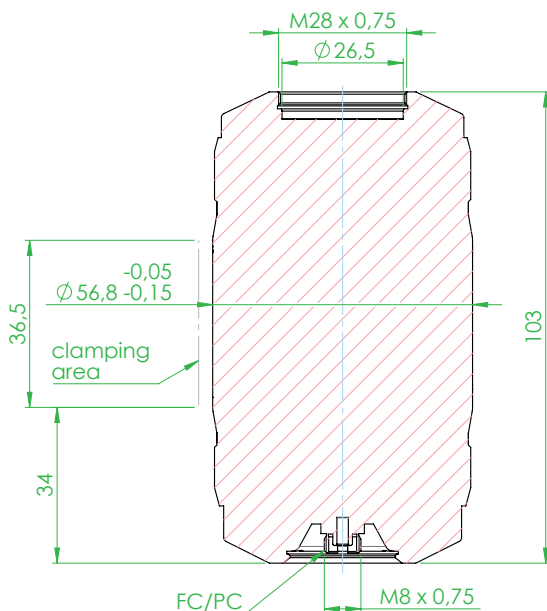
The fiber collimation device a|VariColl generates perfect input conditions for all following beam shaping optics. The adjustable EFL allows compensation of variations in the fiber NA. Thanks to the most precise optics as well as a sophisticated optical and mechanical design, modifications of beam size and divergence angle can be performed independently and without any effort. The a|VariColl impresses with a compact design and allows finest adjustments for output beam diameter and divergence.

Key Benefits:

- = Design wavelength: 1064 nm, usable wavelength range: 1000 – 1200 nm
- = Effective focal length 47 – 101 mm
- = Obtain collimated beam with 10 mm diameter for fiber NAs in range of 0.055 to 0.12
- = Generation of collimated diffraction-limited beams up to 11 mm $1/e^2$ with RMS wavefront error $< 50 \text{ m}\lambda$
- = Adjustable beam diameter while keeping constant divergence at design wavelength
- = Precise adjusting of divergence is also possible
- = Perfect for illumination of a|TopShape, a|AiryShape and a|SqAiryShape, as separate adjustment of divergence and beam diameter allows perfect input conditions
- = Laser induced damage threshold: 12 J/cm^2 , 100Hz, 6ns, 532nm



Technical Dimensions:



asphericon GmbH
Stockholmer Str. 9 | 07747 Jena
Germany

+49 (0) 3641 - 3100 560
+49 (0) 3641 - 3100 561

asphericon, Inc.
8586 Potter Park Drive
Sarasota, FL 34238 | USA

+1 - 941 - 564 0890

asphericon s.r.o.
Milířská 449 | Jeřmanice 463 12
Czech Republic

+420 488 100 300

sales@asphericon.com

www.asphericon.com